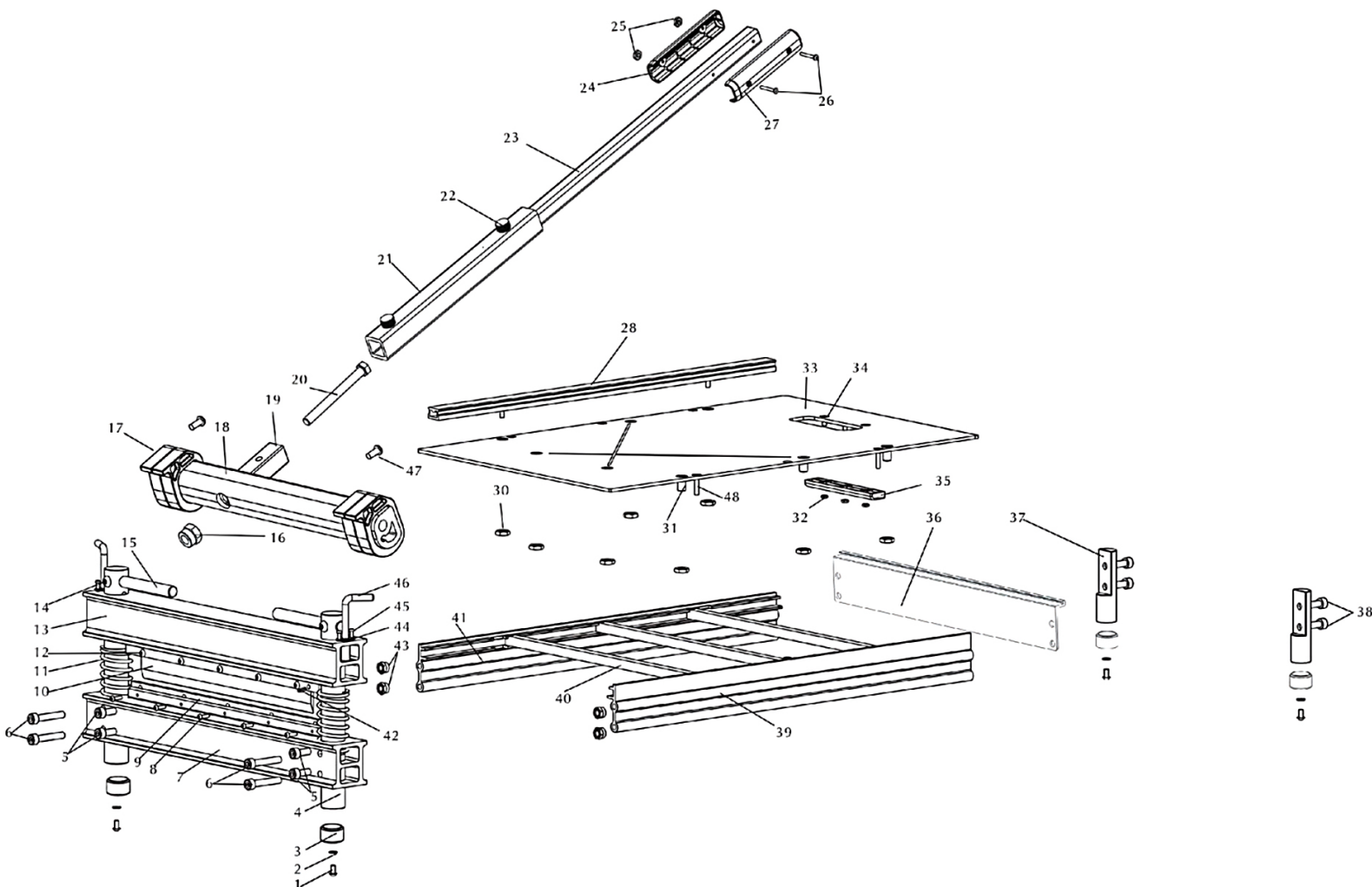


10-94

13 in. Multi-Floor Cutter



REPLACEMENT PARTS LIST

SKU	Part #	Description
10-94-1	1	Screw M6 × 12
10-94-2	2	Washer Ø6
10-94-3	3	Rubber Feet
10-94-4	4	Rod
10-94-5	5	Hex Bolt M8 × 55
10-94-6	6	Hex Bolt M8 × 50

SKU	Part #	Description
10-94-7	7	Main Base
10-94-8	8	Screw M4 × 14
10-94-9	9	Nylon Bar
10-940	10	13 in. Tungsten Carbide Blade
10-94-11	11	Spring
10-94-12	12	Screw M5 × 10

REPLACEMENT PARTS LIST

SKU	Part #	Description
10-94-13	13	Blade Base
10-94-14	14	Screw M8 x 14
10-94-15	15	Shaft
10-94-16	16	Nut M12
10-94-17	17	Nylon Wheel
10-94-18	18	Aluminum Eccentric Cam
10-94-19	19	Handle Base
10-94-20	20	Bolt M12 x 120
10-94-21	21	Handle A
10-94-22	22	Screw M8
10-94-23	23	Handle B
10-94-24	24	Right ABS Handle
10-94-25	25	Nut M4
10-94-26	26	Bolt M4 x 30
10-94-27	27	Left ABS Handle
10-94-28	28	Guide Bar
10-94-30	30	Nut M10
10-94-31	31	Sleeve

SKU	Part #	Description
10-94-32	32	Nut M5
10-94-33	33	Working Table
10-94-34	34	Screw M5 x 12
10-94-35	35	Carry Handle
10-94-36	36	End Board
10-94-37	37	Foot
10-94-38	38	Bolt M8 x 30
10-94-39	39	Frame A
10-94-40	40	Cross Bar
10-94-41	41	Frame B
10-94-42	42	Spring Pin
10-94-43	43	Nut M8
10-94-44	44	Pin Sleeve
10-94-45	45	Screw M4 x 10
10-94-46	46	Pin
10-94-47	47	Screw M6 x 16
10-94-48	48	Screw M5 x 25