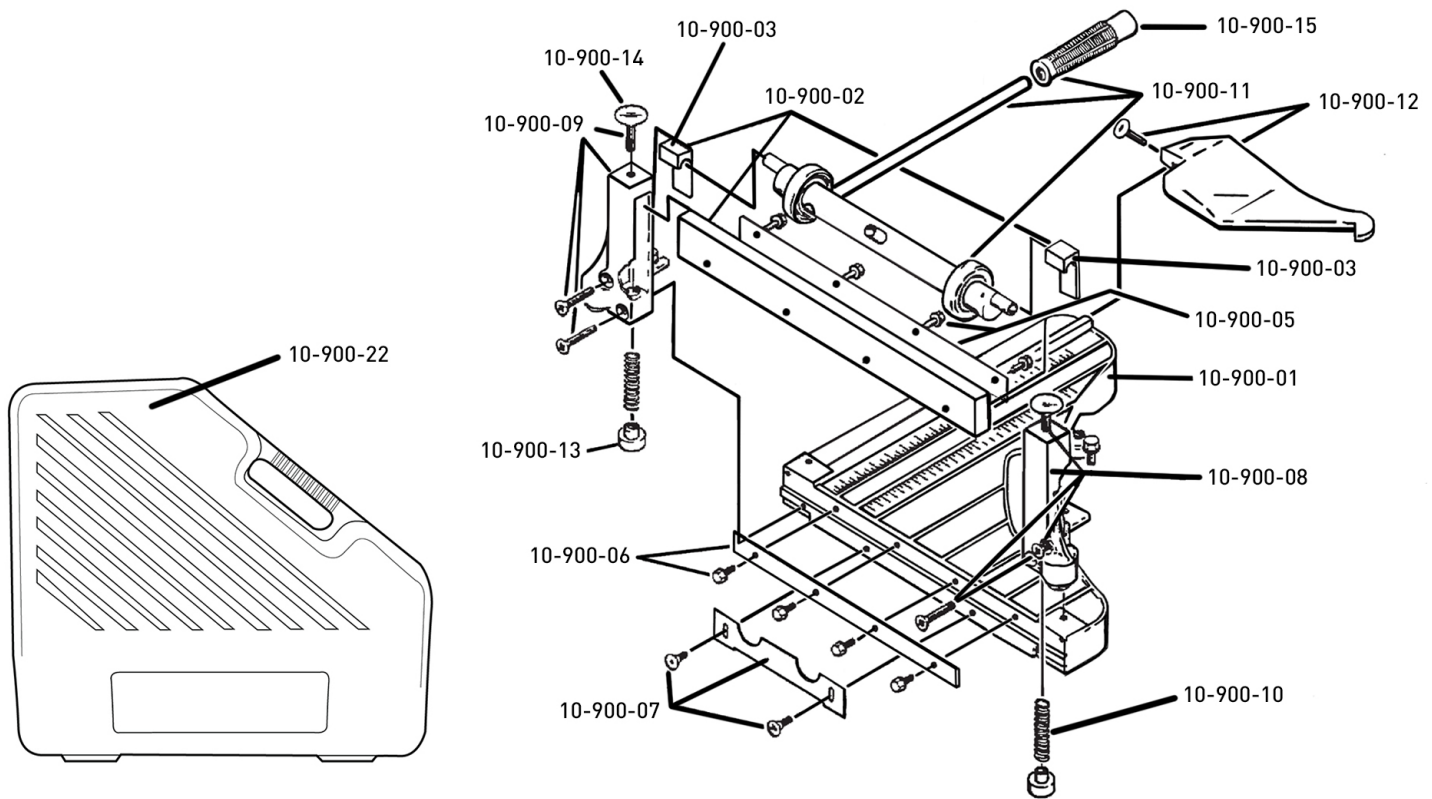


# 10-900

## 12" Vinyl Tile Cutter



### REPLACEMENT PARTS LIST

Part #	Description
10-900-01	Base Assembly
10-900-02	Blade Bar Assembly
10-900-03	Pillow Blocks
10-900-04	Casters for Base (3-pack) (not shown)
10-900-05	Top Cutting Blade with 4 Bolts
10-900-06	Lower Blade Plate with 4 Bolts
10-900-07	Floor Guide
10-900-08	Left Post

Part #	Description
10-900-09	Tapa Flexible
10-900-10	Return Springs (2-pack)
10-900-11	Crankshaft Complete Assembly
10-900-12	Tile Guide with Screw
10-900-13	Rubber Feet (3-pack)
10-900-14	Crankshaft Adjusting Knobs (2-pack)
10-900-15	Handle Grip
10-900-22	Carrying Case