



SUPER SIX

6" Jamb Saw

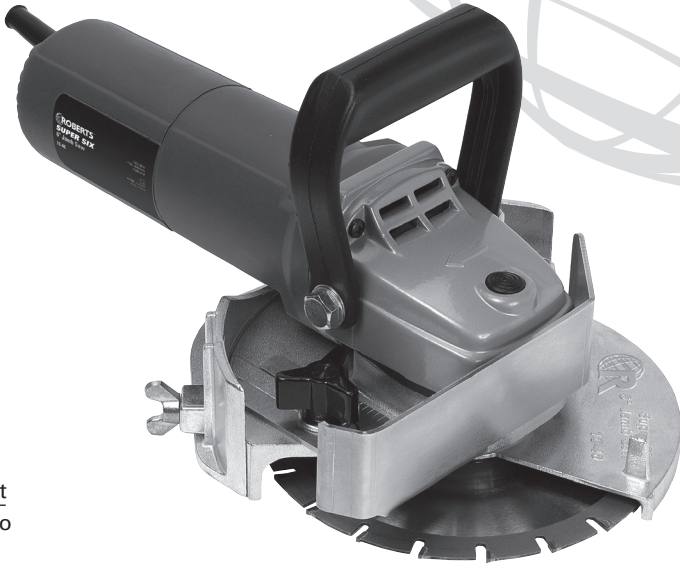
OWNER'S MANUAL

Scie de jambage de 150 mm

MANUEL D'UTILISATION

Sierra de 150 mm para recortar jambas

MANUAL DE OPERACIÓN



Double insulated

Double isolement

Doble aislamiento

⚠ WARNING Read and understand all instructions. Failure to follow all instructions listed below may result in electric shock, fire and/or serious bodily injury. **SAVE THESE INSTRUCTIONS FOR FUTURE REFERENCE.**

⚠ AVERTISSEMENT Lire et comprendre toutes les directives. Le non-respect des directives décrites ci-dessous peut causer des chocs électriques, un incendie ou des blessures graves. **VEUILLEZ CONSERVER CES DIRECTIVES POUR RÉFÉRENCE ULTÉRIEURE.**

⚠ ADVERTENCIA Lea y comprenda todas las instrucciones. Si no se cumplen todas las instrucciones enumeradas a continuación se puede producir choque eléctrico, incendio y/o lesiones físicas graves. **CONSERVE ESTAS INSTRUCCIONES PARA CONSULTARLAS EN EL FUTURO**

PAT No. 5,974,674

10-46

GENERAL SAFETY INFORMATION FOR 10-46 SUPER SIX 6" JAMB SAW

WORK AREA: Keep your work area clean and well lit. Cluttered and dark work areas invite accidents. Do not operate power tools in explosive atmospheres, such as in the presence of flammable liquids, gases, or dust. Power tools create sparks which may ignite the dust or fumes. Keep bystanders, children, and visitors away while operating a power tool. Distractions can cause you to lose control.

ELECTRICAL SAFETY: Double insulated tools are equipped with a polarized plug (one blade is wider than the other.) This plug will fit in a polarized outlet only one way. If the plug does not fit fully in the outlet, reverse the plug. If it still does not fit, contact a qualified electrician to install a polarized outlet. Do not change the plug in any way. Double insulation eliminates the need for the three wire grounded power cord and grounded power supply system.

Avoid body contact with grounded surfaces such as pipes, radiators, ranges and refrigerators. There is an increased risk of electric shock if your body is grounded.

Don't expose power tools to rain or wet conditions. Water entering a power tool will increase the risk of electric shock.

Do not abuse the cord. Never use the cord to carry the tools or pull the plug from an outlet. Keep cord away from heat, oil, sharp edges or moving parts. Replace damaged cords immediately. Damaged cords increase the risk of electric shock.

When operating a power tool outside, use an outdoor extension cord marked "W-A" or "W". These cords are rated for outdoor use and reduce the risk of electric shock.

PERSONAL SAFETY: Stay alert, watch what you are doing and use common sense when operating a power tool. Do not use tools while tired or under the influence of drugs, alcohol, or medication.

Dress properly. Do not wear loose clothing or jewelry. Contain long hair. Keep your hair, clothing and gloves away from moving parts. Avoid accidental starting. Be sure switch is off before plugging in. Carrying tools with your finger on the switch or plugging in tools that have the switch on invites accidents.

Remove adjusting keys or switches before turning the tool on. A wrench or key that is left attached to a rotating part of the tool may result in personal injury.

Do not overreach. Keep proper footing and balance at all times. Proper footing and balance enables better control of the tool in unexpected conditions.

TOOL USE AND CARE: Do not use tool if switch does not turn it on or off. Any tool that cannot be controlled with the switch is dangerous and must be repaired.

Disconnect the plug from the power source before making any adjustment, changing accessories, or storing the tool. Such preventive safety measures reduce the risk of starting the tool accidentally.

Store idle tools out of reach of children and other untrained persons. Tools are dangerous in the hands of untrained users.

Maintain tools with care. Keep cutting tools sharp and clean. Properly maintained tools with sharp cutting edges are less likely to bind and are easier to control.

Check for misalignment or binding of moving parts, breakage of parts and any other condition that may affect the tools operation. If damaged, have the tool serviced before using. Many accidents are caused by poorly maintained tools.

Use only accessories that are recommended by the manufacturer for your model. Accessories that may be suitable for one tool may become hazardous when used on another tool.

SERVICE: Tool service must be performed only by qualified repair personnel. Service or maintenance performed by unqualified personnel could result in a risk of injury.

When servicing a tool, use only identical replacement parts. Follow instructions in the maintenance section of this manual. Use of unauthorized parts or failure to follow maintenance instructions may create a risk of electric shock or injury.

Hold tool by insulated gripping surfaces when performing an operation where the cutting tools may contact hidden wiring or its own cord. Contact with a "live wire" will make exposed metal parts of the tool "live" and shock the operator.

SAFETY SWITCH: For your safety, and to comply with safety regulations, the switch on the 10-46 SUPER SIX 6" Jamb Saw DOES NOT LOCK in the "on" position. The motor will turn off when the switch is released.

GENERAL SAFETY RULES CONTINUED

MAINTENANCE: After use, check tool to keep it in top condition.

1. Clean out accumulated dust.
2. Check the brushes periodically for wear and replace both brushes when either is worn to about 1/3" length.

DO NOT MAKE ANY ADJUSTMENT WHILE THE MOTOR IS IN MOTION!

WARNING

KEEP SAFETY GUARDS IN PLACE TO AVOID POSSIBLE SERIOUS INJURY!

Never cover, nor allow dust to accumulate in air vents since they must always be open for proper motor cooling.

Always remove the electric cord from the power supply before changing brushes, lubricating or when working on the unit, to avoid possible serious injury.

To assure safety and reliability all repairs with the exception of external accessible brushes should be performed by an Authorized Service Center or other qualified Service Organization.

PRODUCT SPECIFIC SAFETY WARNINGS

1. The Roberts 10-46 *SUPER SIX* 6" Jamb Saw is manufactured for the specific use of trimming wood door jambs, base molding, and undercutting brick. It can cause bodily harm if used improperly or if operated by inexperienced persons.
2. Do not use this product for any purpose other than stated in these instructions.
3. Never operate this saw "freehand".
4. Always wear eye protection and gloves. It is recommended that safety goggles which are fully enclosed and contact your forehead and cheeks be worn to prevent injury. Do not wear loose clothing. Dust masks are recommended.
5. Unplug the Roberts 10-46 *SUPER SIX* 6" Jamb Saw when not in use. Store it in the custom molded case.
6. Keep blade safety guards installed at all times.
7. Avoid hitting nails, screws, masonry, tile or other hard materials. Keep work area clear of tools and scraps.
 - a. These materials can cause dangerous chips and debris to be ejected from the saw.
 - b. The blade will be damaged or dulled. Teeth can be broken or bent, requiring replacement of the blade.
 - c. Check jambs and base moldings carefully to locate nails or other fasteners so they can be removed or avoided during trimming.
8. Do not use this or any electric tool on wet floors or near standing water.
9. Make sure blade screw and handle retaining nuts are tightened securely before operating.

WARNING

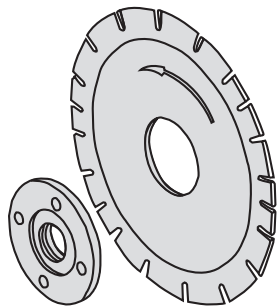
Drilling, sawing, sanding or machining wood products can expose you to wood dust, a substance known to the State of California to cause cancer. Avoid inhaling wood dust or use a dust mask or other safeguards for personal protection. For more information go to www.P65Warnings.ca.gov/wood.

Your risk from these exposures varies, depending on how often you do this type of work. To reduce your exposure to these chemicals: work in a well-ventilated area, and work with approved safety equipment, such as those dust masks that are specially designed to filter out microscopic particles.

ROBERTS 10-46 SUPER SIX 6" JAMB SAW INSTRUCTIONS

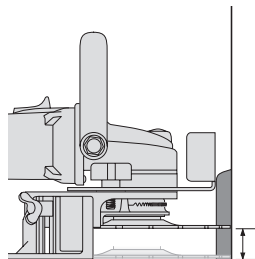
ASSEMBLY AND BLADE CHANGING

1. Make sure the saw is unplugged.
2. Insert the blade clamp into the saw blade arbor hole, so the blade clamp is securely seated in the blade.
** Make sure the blade teeth are facing the direction of rotation (counterclockwise viewed from the bottom).*
3. Screw the blade retainer nut, with the saw blade centered, onto the saw arbor shaft. When the nut is finger tight, check that the blade is centered and fully seated.
4. Depress the black arbor lock knob on the top of the saw motor head to engage and lock the arbor.
5. Using the spanner wrench (with two extended pins), turn the retainer nut clockwise until the retainer nut is tight on the shaft.
6. Attach the plastic handle, using the two 3/8" diameter bolts. Put the lock washers between the outside of the handle and under the bolt head. Tighten both bolts with the open end wrench provided. Make sure the handle is secure before using the Roberts 10-46 SUPER SIX 6" Jamb Saw.



OPERATING THE ROBERTS 10-46 SUPER SIX 6" JAMB SAW

1. Make sure you have read all safety instructions before operating.
2. Make sure the saw is unplugged. Make sure the safety guard and handle are attached securely, and that you are wearing protective goggles.
3. Check for nails, screws, masonry or other hard material in the area you want to cut. Remove all such material and debris from the cutting area.
4. Determine the amount of material you need to remove from the bottom of the jamb and draw a scribe line on the door jamb.
5. Loosen the two wing nuts on the adjustment skirt.
 - a. Set the base of the adjustment skirt on the floor and adjust the saw so the TOP of the blade is even with the scribe mark on the jamb. You can also measure the distance from the floor to your scribe line with a ruler, then set the Roberts 10-46 SUPER SIX 6" Jamb Saw height against the ruler. Remember to measure to the top of the saw blade.
 - b. Tighten the wing nuts enough to hold the adjustment skirt firmly in the saw body.
 - c. Check the inside of the adjustment skirt to make sure the saw body is parallel to the index lines inside the skirt. This step is important to prevent "binding" of the blade against the material you are cutting.
 - d. If the adjustment skirt is parallel, tighten the wing nuts securely.
 - e. Double check your saw height adjustment against the scribe mark on your work.
 - f. DO NOT allow the blade to contact the floor or substrate material. This can damage the blade, and the floor, and place excess loads on the motor.
6. Set the depth guide by loosening the screw knob on the adjustment tab. Set the depth guide to allow the saw blade to cut the depth needed to just CLEAR your jamb or base molding.
 - a. Deeper cuts will cause damage to plaster or wall board, and will create excessive dust. This will also cause excessive wear to your saw blade.
 - b. Plaster dust will cause excess wear to the gears and bearings in the power unit.
7. To reduce dust, attach vacuum hose to vacuum part. Turn vacuum on.
8. Plug the electrical cord into a 120V outlet or extension cord. Place the saw on the floor.
9. Grasp the saw firmly and push the saw into the wood and move the saw parallel to the to the floor to cut the jamb.
10. Limit the depth of your cut to the thickness of the base material to minimize the chance of hitting nails, drywall, plaster, etc.
11. For your safety, and to comply with safety regulations, the switch on the Roberts 10-46 SUPER SIX 6" Jamb Saw DOES NOT LOCK in the "on" position. The motor will turn off when the switch is released.



ROBERTS 10-46 SUPER SIX 6" JAMB SAW INSTRUCTIONS CONTINUED

⚠ NOTE: ALWAYS feed the saw to your **RIGHT** so the blade teeth advance into the wood. If the saw is moved to your left, it could result in "kickback" and loss of control of the saw, which can result in damage to the material or personal injury. Move the saw slowly and evenly through the material. Hold the saw firmly and keep it firmly on the floor as you cut through the material.

CUTTING INSIDE CORNERS

1. The Roberts 10-46 *SUPER SIX* 6" Jamb Saw will cut completely through 90° corners in base moldings up to 1/2" thick. The depth gauge must be removed, and the motor must be unplugged while removing the depth gauge.
2. Set the height adjustment skirt to the proper level.
3. Turn the saw on, and advance the blade slowly into the base, to the left of the corner. Move the saw evenly and steadily to the **RIGHT**, and carefully into the corner. Maintain your depth of cut so you do not cut more than the thickness of the wood base molding. Note: With the blade fully inserted into the corner, the depth of cut will be slightly deeper than needed to fully cut 1/2" thick wood base molding.

REGARDING WOOD BASE MOLDINGS

While some flooring installers trim wood base molding with jamb saws, it is not a recommended practice.

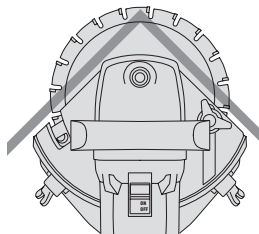
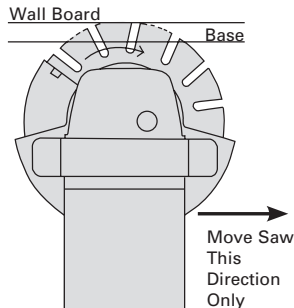
Professional Flooring and Trade Associations recommend that the base molding be removed then replaced after the new floor is installed. This results in a better looking installation and preserves the height and appearance of the base molding. Should you choose to trim the wood base molding with the jamb saw, **be especially careful to avoid embedded finishing nails.** Make sure you have a flat, even, smooth surface to support the saw base plate as you cut the base molding. Never run the saw over carpeting or pad. Do not allow the blade to contact the floor or substrate! This will overload the motor, and damage the blade.

REGARDING DOOR TRIMMING

ALWAYS remove doors, and cut evenly with a table saw or circular saw. It is not recommended practice to cut doors with a jamb saw.

⚠ REGARDING MASONRY

The masonry blade is primarily used for cutting brick. It is not for use on tile or stone. We strongly recommend the operator wear a dust mask. **DO NOT** use this saw for cutting steel or aluminum.



SPECIFICATIONS

Motor Unit:

Motor: 120V-60Hz / 7.5 Amps
No Load Speed: 7,000 RPM
Arbor Diameter: 5/8" (16 mm)
Blade Adapter Diameter: 20 mm
All Ball Bearing: Spiral ground gears for smooth, quiet operation

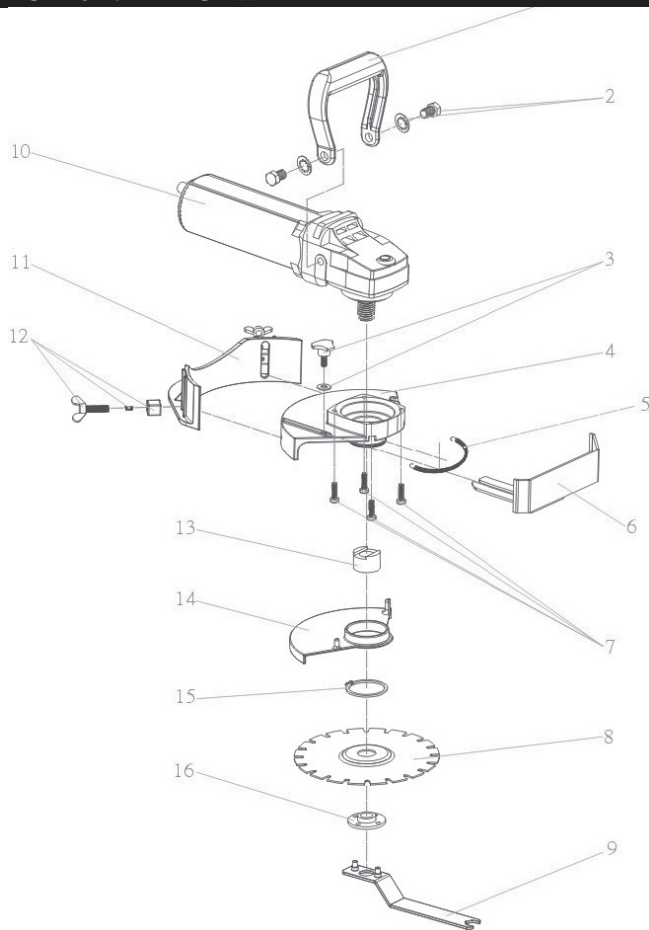
Saw:

Saw Assembly: Diecast and machined aluminum
Height Adjustment Range: "Flush" to 1-1/16"

Blades:

10-47-6 (Carbide-Tipped)
Diameter: 6-3/16"
Teeth: 20, carbide
Width of Teeth: .080 (approx 1/12")
Arbor Size: 20 mm

ROBERTS 10-46 SUPER SIX 6" JAMB SAW



REPLACEMENT PARTS LIST

Part	Description	Part	Description
10-46-01	Handle	10-46-11	Safety Guard
10-46-02	Spanner Wrench	10-46-12	Return Spring (100 Bulk Pack)
10-46-03	Depth Gauge	Not Shown	Not Shown
10-46-04	Return Spring (3 pack)	10-46-14	Snap Ring
10-46-05	Screws, Spacers, Spring (2 pack)	10-46-16	Blade Retainer Nut
10-46-07	Handle Bolt & Lock Washer	10-46-17	Arbor Spacer
10-46-08	Mounting Body	10-46-18	Motor Unit
10-46-09	Height Adjustment Skirt	10-46-19	Mounting Screws (4 pack)
10-46-10	Screw Knob, Washer for Depth Gauge	10-46-20	Replacement Switch
		10-46-21	Carbon Brushes (2)
		10-47-6	6-3/16" (158mm) Cupped Arbor, Carbide Tip Saw Blade

CUSTOMER SERVICE: 1-866-435-8665

RÈGLES GÉNÉRALES DE SÉCURITÉ

AVERTISSEMENT

ZONE DE TRAVAIL: Garder la zone de travail propre et bien éclairée. Les zones de travail encombrées et sombres invitent les accidents. Ne pas faire fonctionner des outils électriques dans des atmosphères explosives, tel qu'en présence de liquides, de gaz ou de poussières inflammables. Les outils électriques créent des étincelles qui risquent d'enflammer la poussière ou la fumée. Garder les tiers, les enfants et les visiteurs loin de l'utilisateur qui fait fonctionner un outil électrique. Des distractions peuvent lui faire perdre le contrôle.

SÉCURITÉ ÉLECTRIQUE: Les outils à double isolement sont munis d'une fiche polarisée (une pale est plus large que l'autre). Cette fiche ne pourra entrer dans une prise de courant polarisée que d'une seule façon. Si la fiche n'entre pas complètement dans la prise, retourner la fiche. Si elle n'entre toujours pas, communiquer avec un électricien qualifié pour faire installer une prise de courant polarisée. Ne pas modifier la prise d'aucune façon. Le double isolement élimine le besoin d'un cordon d'alimentation mis à la terre à trois conducteurs et d'un système d'alimentation électrique mis à la terre.

Éviter que le corps n'entre en contact avec les surfaces mises à la terre, telles que les conduits, les radiateurs, les cuisinières et les réfrigérateurs. Il y a un risque accru d'électrocution si votre corps est mis à la terre.

Ne pas exposer les outils électriques à la pluie ou à des conditions humides. Une entrée d'eau dans un outil électrique augmente le risque d'électrocution.

Ne pas maltraiter le cordon. Ne jamais l'utiliser pour transporter les outils ou pour retirer la fiche de la prise de courant. Garder le cordon loin de toute source de chaleur, d'arêtes vives ou de pièces en mouvement. Remplacer les cordons endommagés immédiatement car ils augmentent le risque d'électrocution.

Lors de l'utilisation d'un outil électrique à l'extérieur, utiliser un cordon de rallonge portant l'inscription "W-A" ou "W". Ces cordons sont qualifiés pour utilisation à l'extérieur et réduisent le risque d'électrocution.

SÉCURITÉ PERSONNELLE: Rester vigilant, garder les yeux bien ouverts et faire preuve de bon sens lors de l'utilisation d'un outil électrique. Ne pas utiliser des outils lorsque vous êtes fatigué ou sous l'influence de drogues, d'alcool ou de médicaments.

Porter des vêtements appropriés. Ne pas porter de vêtements amples ou des bijoux. Attacher les cheveux longs. Garder les cheveux, les vêtements et les gants loin des pièces en mouvement. Éviter les démarrages accidentels. S'assurer de mettre l'interrupteur à la position d'arrêt avant de brancher l'appareil. Transporter l'outil tout en gardant le doigt sur l'interrupteur ou brancher des outils dont l'interrupteur est en position de marche risque de causer des accidents.

Retirer les clés de réglage ou les interrupteurs avant de mettre l'outil en marche. Une clé qui demeure fixée à une pièce rotative de l'outil peut causer des blessures.

Ne pas tendre les bras trop loin. Garder les pieds bien au sol et un bon équilibre en tout temps. Cela permet de mieux contrôler l'outil dans des conditions imprévues.

UTILISATION ET ENTRETIEN DE L'OUTIL: Ne pas utiliser l'outil si l'interrupteur ne réussit pas à le mettre en marche ou à l'arrêter. Tout outil qui ne peut pas être contrôlé par l'interrupteur est dangereux et doit être réparé.

Débrancher la fiche de la source d'alimentation avant d'effectuer tout réglage, de remplacer des accessoires ou de ranger l'outil. Ces mesures de sécurité préventives réduisent les risques de mise en marche accidentelle de l'outil.

Ranger les outils non utilisés hors de la portée des enfants et de toute autre personne non formée. Les outils sont dangereux lorsqu'ils sont dans les mains d'utilisateurs non formés.

Entretien l'outil avec soin. Garder les outils de coupe bien aiguisés et propres. Les outils entretenus correctement avec des lames bien aiguisées sont moins susceptibles de rester pris et sont plus faciles à contrôler.

Vérifier que les pièces soient bien alignées et non bloquées, qu'il n'y ait pas de pièces brisées et qu'il n'y ait aucun autre problème qui puisse nuire au fonctionnement de l'outil. En cas de dommage, faire réparer l'outil avant de l'utiliser. De nombreux accidents sont causés par des outils mal entretenus.

N'utiliser que les accessoires recommandés par le fabricant pour votre modèle d'outil. Les accessoires qui conviennent à un outil peuvent devenir dangereux lorsqu'ils sont utilisés avec un autre outil.

RÈGLES GÉNÉRALES DE SÉCURITÉ MAINTENU

SERVICE: La révision de l'outil ne doit être effectuée que par le personnel de service qualifié.

La révision ou l'entretien effectués par des personnes non qualifiées pourrait entraîner des risques de blessures.

Lors de la révision d'un outil, n'utiliser que des pièces de rechange identiques. Suivre les instructions qui se trouvent dans le chapitre sur l'entretien de ce manuel. L'utilisation de pièces non autorisées ou le non-respect des instructions d'entretien peuvent créer des risques d'électrocution ou de blessures.

Tenir l'outil par les surfaces de prise isolées lors d'une opération où l'outil de coupe risque d'entrer en contact avec des fils cachés ou son propre cordon. Tout contact avec un fil sous tension rendra les pièces métalliques exposées de l'outil "sous tension" et électrocuter l'utilisateur.

INTERRUPTEUR: Pour votre sécurité et pour vous conformer aux règles de sécurité, l'interrupteur de la scie de jambage NE SE VERROUILLE PAS en position «marche». Le moteur se coupe lorsque l'interrupteur est relâché.

ENTRETIEN: Après l'utilisation, examiner l'outil pour le garder en parfait état.

1. Nettoyer l'accumulation de poussière.

2. Vérifier les brosses périodiquement pour tout signe d'usure et remplacer les deux brosses lorsque l'une ou l'autre est usée jusqu'à environ 1/3 de sa longueur.

NE PAS EFFECTUER DE RÉGLAGES LORSQUE LE MOTEUR EST EN MARCHÉ!

GARDER LES DISPOSITIFS DE PROTECTION EN PLACE AFIN D'ÉVITER TOUT RISQUE DE BLESSURE GRAVE!



AVERTISSEMENT

Ne jamais couvrir ni permettre à la poussière de s'accumuler dans les soupapes d'évacuation d'air puisque des dernières doivent toujours être ouvertes pour permettre au moteur de se refroidir.

Toujours retirer le cordon électrique de la source d'alimentation avant de remplacer les brosses, de lubrifier ou d'effectuer une réparation sur l'outil en vue d'éviter toute blessure grave.

En vue d'assurer la sécurité et la fiabilité de toutes les réparations, sauf pour les brosses accessibles de l'extérieur, elles doivent être effectuées par un centre de service autorisé ou toute autre organisation de service qualifiée.

AVERTISSEMENTS DE SÉCURITÉ SPÉCIFIQUES AU PRODUIT

1. Scie de jambage de 15.2cm *SUPER SIX* Roberts 10-46 est conçue pour être utilisée pour ébarber les jambages de porte et les plinthes en bois par les installateurs de planchers professionnels seulement! Elle peut causer des blessures si elle n'est pas utilisée correctement ou par des personnes inexpérimentées.
2. Ne pas utiliser ce produit pour toute autre tâche que celle indiquée dans ces instructions.
3. Ne jamais faire fonctionner cette scie "à main levée".
4. Toujours porter des lunettes protectrices et des gants. Le port de lunettes de sécurité qui sont entièrement fermées et qui touchent au front et aux joues est recommandé en vue d'éviter des blessures. Ne pas porter des vêtements amples. Il est également recommandé de porter un masque de poussière.
5. Débrancher la scie de jambage de 15.2cm *SUPER SIX* Roberts 10-46 lorsqu'elle n'est pas utilisée. La ranger dans l'étui moulé fourni à cet effet.
6. Garder les protecteurs de lame en position en tout temps.
7. Éviter d'entrer en contact avec des clous, des vis, de la maçonnerie, des carreaux ou tout autre matériau dur. Garder la zone de travail libre d'outils et de rebuts.
 - a. Ces matériaux peuvent causer l'éjection de copeaux et débris hors de la scie.
 - b. La lame sera endommagée et émoussée. Les dents risquent de se briser ou de se plier, exigeant ainsi le remplacement de la lame.
 - c. Examiner les jambages et les plinthes avec soin pour repérer les clous ou les autres attaches afin de les enlever ou de les éviter pendant l'ébarbage.
8. Ne pas utiliser ce produit ou tout outil électrique sur des planchers humides ou près de l'eau stagnante.
9. S'assurer que l'écrou de retenue de la lame et que les écrous de retenue de la poignée soient bien serrés avant de faire fonctionner l'outil.
10. Ne pas utiliser de lames à tranchant au diamant ou de lames de maçonnerie pour cette scie. Couper des carreaux, des briques ou de la maçonnerie crée une poussière abrasive qui pourrait endommager les engrenages et les roulements à bille. La garantie du produit est ANNULÉE si la scie de jambage de 15.2cm *SUPER SIX* Roberts 10-46 est utilisé pour couper la maçonnerie.

AVERTISSEMENT

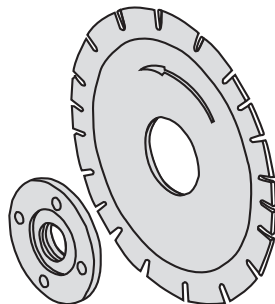
Le perçage, le sciage, le ponçage ou l'usinage des produits en bois peut vous exposer à la poussière de bois, une substance qui est reconnue par l'Etat de Californie comme causant le cancer. Éviter d'inhaler la poussière de bois ou utiliser un masque anti-poussière ou d'autres formes de protection personnelle. Pour plus d'informations, visiter www.P65Warnings.ca.gov/wood.

Votre risque d'être exposé à ces situations dépend de la fréquence de ce type de travail. Pour réduire l'occurrence d'être exposé à ces risques chimiques, travaillez dans un endroit qui est bien ventilé et avec l'équipement de sûreté, ainsi que des masques antipoussières qui sont conçus pour filtrer les particules microscopiques.

MODE D'EMPLOI DE LA SCIE DE JAMBAGE DE 150MM SUPER SIX 6" 10-46

MONTAGE ET REMPLACEMENT DE LA LAME

- Insérer l'écrou de retenue de la lame dans le trou du mandrin de la lame de façon à ce que le dispositif de retenue de la lame soit bien appuyé dans la lame.
** S'assurer que les dents de scie soient dirigées en direction de la rotation (dans le sens antihoraire si l'on regarde à partir du bas).*
- Visser l'écrou de retenue de la lame, tout en gardant la lame bien au centre, sur la tige du mandrin de la scie. Lorsque l'écrou est serré, s'assurer que la lame soit bien centrée et bien appuyée.
- Déprimer la touche de verrouillage noire du mandrin située sur la partie supérieure de la culasse du moteur de la scie pour enclencher et verrouiller le mandrin.
- Au moyen de la clé à écrous (avec deux tiges allongées), tourner l'écrou de retenue dans le sens horaire jusqu'à ce qu'il soit serré sur la tige.
- Fixer la poignée en plastique au moyen de deux boulons de 9.5mm de diamètre. Placer les rondelles de blocage entre l'extérieur de la poignée et sous la tête du boulon. Serrer les deux boulons avec la clé à fourche fournie. S'assurer que la poignée soit bien fixée avant d'utiliser la Scie de Jambage de 15.2cm *SUPER SIX* Roberts 10-46

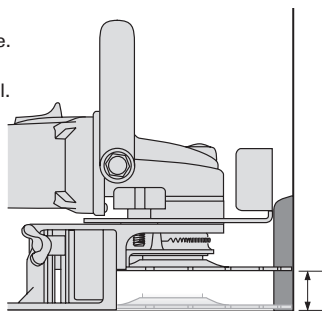


FOCTIONNEMENT DE LA SCIE DE JAMBAGE DE 150MM *SUPER SIX* ROBERTS 10-46

- S'assurer d'avoir lu toutes les consignes de sécurités avant de faire fonctionner l'outil.
- S'assurer que la scie soit débranchée. S'assurer que le Protecteur de Lame et la poignée soient bien fixés et de porter des lunettes de sécurité.
- Repérer les clous, les vis, la maçonnerie ou tout autre matériau dur dans la région à couper. Retirer tous ces objets et débris avant de couper.
- Déterminer la quantité de matériau à éliminer à partir de la partie inférieure du jambage et tracer une ligne sur le cadre de porte.
- Desserrer les deux vis à oreilles situées sur le tablier de réglage.
 - Déposer la base du tablier de réglage sur le sol et régler la scie de façon à ce que la partie SUPÉRIEURE de la lame soit au même niveau que la ligne tracée. On peut également mesurer la distance du plancher jusqu'à la ligne tracée avec une règle, puis régler la hauteur de la Scie de Jambage de 150mm *SUPER SIX* Roberts 10-46 et de dégagement selon la règle. Ne pas oublier de mesurer jusqu'à la partie supérieure de la lame.
 - Serrer les vis à oreilles suffisamment pour qu'elles tiennent le tablier de réglage fermement en place dans le boîtier de la scie.
 - Vérifier l'intérieur du tablier de réglage pour s'assurer que le boîtier de la scie soit parallèle aux lignes d'indice qui se trouvent à l'intérieur du tablier. Cette étape est importante pour empêcher la lame de se "prendre" dans le matériau que vous allez couper.
 - Si le réglage du tablier est parallèle, serrer les vis à oreilles fermement.
 - Vérifier à nouveau le réglage de la hauteur de la scie contre la ligne tracée.
 - NE PAS laisser la lame entrer en contact avec le sol ou le substrat. Ceci pourrait endommager la lame et le sol et placer des charges excessives sur le moteur.
- Régler le guide de profondeur en desserrant le bouton des languettes d'ajustement. Régler le guide de profondeur pour permettre à la lame de la scie de couper à la profondeur nécessaire pour DÉGAGER simplement le jambage ou les plinthes.
 - Les coupes plus profondes endommageront le plâtre ou le mur et créeront une poussière excessive tout en utilisant inutilement votre lame de scie.
 - La poussière du plâtre provoquera une usure supplémentaire des engrenages et des roulements du bloc moteur.



7. Pour réduire la poussière, fixer le tuyau de vide au port de vide. Tournez vide sur.
8. Brancher le cordon dans une prise de courant de 120 volts ou dans un cordon de rallonge. Déposer la scie à plat sur le sol.
9. Agripper la scie fermement et la pousser dans le bois puis la déplacer de façon parallèle au sol pour couper le jambage.
10. Limiter la profondeur de la coupe à l'épaisseur du matériau de base en vue de minimiser les chances d'accrocher des clous, les murs secs, le plâtre, etc.
11. Pour votre sécurité et pour vous conformer aux règles de sécurité, l'interrupteur de la Scie de Jambage de 150mm *SUPER SIX* Roberts 10-46 NE SE VERROUILLE PAS en position «marche». Le moteur se coupe lorsque l'interrupteur est relâché.

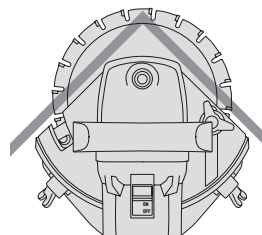
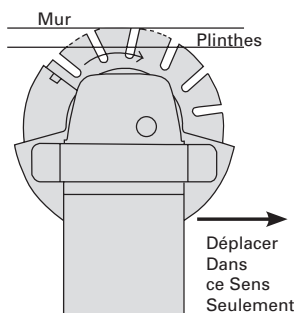


MODE D'EMPLOI DE LA SCIE DE JAMBAGE DE 150MM SUPER SIX 6" 10-46 MAINTENU

⚠ REMARQUE: TOUJOURS alimenter la scie vers la DROITE de façon à ce que les dents de scie avancent dans le bois. Si la scie est déplacée vers la gauche, cela pourrait produire un effet de recul et une perte de contrôle de la scie, ce qui pourrait ensuite endommager le matériau ou causer des blessures. Déplacer la scie lentement et uniformément à travers le matériau. Agripper la scie fermement et la tenir sur le sol tout en coupant le matériau.

COUPER LES ANGLES RENTRANTS

1. La Scie de Jambage de 150mm *SUPER SIX* Roberts 10-46 coupera entièrement les coins à 90° dans les plinthes jusqu'à 12mm d'épaisseur. Il faut retirer la jauge de profondeur et débrancher le moteur en retirant la jauge.
2. Régler le tablier de réglage de hauteur au bon niveau.
3. Mettre la scie en marche et avancer lentement la lame dans la plinthe vers la GAUCHE du coin. Déplacer la scie de manière uniforme et constante vers la DROITE et avec soin dans le coin. Maintenir votre profondeur de coupe pour ne pas couper plus que l'épaisseur de la plinthe en bois. Remarque: Si la lame est entièrement insérée dans le coin, la profondeur de coupe sera un peu plus profonde que nécessaire pour couper une plinthe de 12mm d'épaisseur.



EN CE QUI CONCERNE LES PLINTHES EN BOIS

Bien que certains installateurs coupent les plinthes en bois avec des scies de jambage, cela n'est pas un usage recommandé.

Les Associations Commerciales et d'Installation de Planchers Professionnelles recommandent d'enlever les plinthes, puis de les remplacer après avoir posé le nouveau plancher. Cela donne lieu à une meilleure installation et maintient la hauteur et l'apparence des plinthes. Si toutefois vous décidez de couper les plinthes avec la scie de jambage, **prendre soin d'éviter les clous de finition encastrés.**

S'assurer d'avoir une surface plate, uniforme et lisse pour soutenir la plaque de base de la scie pendant la coupe des moulures. Ne jamais passer la scie sur du tapis ou de la thibaude.

Lors de la coupe des coins intérieurs, l'utilisation d'un ciseau à bois ou d'un couteau universel est habituellement requise pour éliminer la moulure au complet.

EN CE QUI CONCERNE LES GARNITURES DE PORTE TOUJOURS

Retirer les portes et couper uniformément avec une scie circulaire ou une scie à table. Il n'est pas recommandé de couper les portes avec une scie de jambage.

⚠ CONCERNANT LA MAÇONNERIE

La lame de maçonnerie est essentiellement utilisée pour couper les briques. Elle ne doit pas être utilisée sur carreaux ou pierres. Il est vivement recommandé que l'utilisateur porte un masque antipoussières. **NE PAS** utiliser cette scie pour couper l'acier ou l'aluminium.

SPÉCIFICATIONS

Moteur:

Courant: 120V-60Hz / 7.5 Ampères

Vitesse à Vide: 7,000 tr/min

Diamètre du Mandrin: 16mm

Diamètre de l'adaptateur de lame: 20 mm

Tout le roulement à billes: Engrenage rectifié en spirale pour un fonctionnement sans heurt et silencieux

Blades:

10-47-6 (Lame à Plaquettes)

Diamètre: 158 mm

Dents: 20, en carbure

Largeur des dents: 2 mm

Grosseur de mandrin: 20 mm

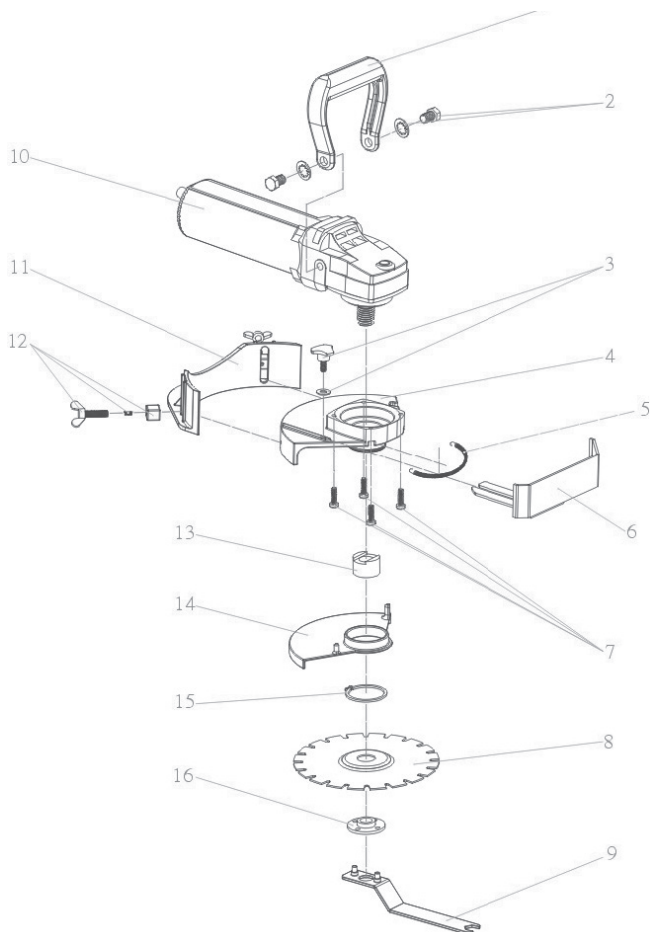
Scie:

Montage de la scie: Boîtier moulé et aluminium usiné

Étendue du réglage de la hauteur: "D'affleurement" a 26mm

ROBERTS 10-46

SCIE DE JAMBAGE DE 150MM SUPER SIX



LISTE DES PIÈCES DE RECHANGE

Part	Description	Part	Description
10-46-01	Poignées	10-46-11	Dispositif de protection
10-46-02	Clé à écrous	10-46-12	Ressort de rappel (non illustré)
10-46-03	Jauge de profondeur		(paquet de 100 en gros)
10-46-04	Ressort de rappel (3)	10-46-14	Bague à ressort
10-46-05	Vis, suspension (paquet de 2)	10-46-16	Écrou de retenue de lame
10-46-07	Bille à Manches d'outils et rondelle	10-46-17	Arbre d'éspacement
10-46-08	Corps de montage	10-46-18	Bloc moteur
10-46-09	Tablier de Réglage	10-46-19	Vis de montage (4)
10-46-10	Vis bouton, rondelle pour jauge de profondeur	10-46-20	Interrupteur de rechange
		10-46-21	Brosses de carbone (2)
		10-47-6	15.7cm arbre arrondie, lame de scie à pointe au carbure

NUMÉRO DE SERVICE À LA CLIENTÈLE: 1-866-435-8665

REGLAS GENERALES DE SEGURIDAD

ADVERTENCIA

ÁREA DE TRABAJO: Mantenga el área de trabajo limpia y bien iluminada. Las zonas desordenadas y oscuras generan accidentes. No opere herramientas eléctricas en ambientes explosivos, como por ejemplo, en presencia de líquidos inflamables, gases o polvo. Las herramientas eléctricas generan chispas que pueden encender el polvo o los vapores. Mantenga alejados a los observadores, los niños y los visitantes mientras opere una herramienta eléctrica. Las distracciones pueden hacerle perder el control.

SEGURIDAD ELÉCTRICA: Las herramientas con doble aislamiento cuentan con un enchufe polarizado (una pata es más ancha que la otra). Este enchufe calza en una toma corrientes polarizado de una sola forma. Si el enchufe no encaja completamente en el toma corrientes, invierta la posición del enchufe. Si aún así no calza, solicite a un electricista matriculado que instale un toma corrientes polarizado. No modifique el enchufe de ninguna manera. El aislamiento doble elimina la necesidad de tener un cable de tres hilos con conexión a tierra y un sistema de alimentación eléctrica con conexión a tierra.

Evite que su cuerpo entre en contacto con superficies conectadas a tierra tales como tuberías, radiadores, estufas y refrigeradores. Si su cuerpo está conectado a tierra existe un mayor riesgo de choque eléctrico.

No exponga las herramientas eléctricas a la lluvia ni a la humedad. Si entra agua en una herramienta eléctrica, aumenta el riesgo de choque eléctrico.

No maltrate el cable. Nunca use el cable para llevar las herramientas ni desenchufarlas. Mantenga el cable alejado del calor, el aceite, los bordes filosos o las partes móviles. Cambie inmediatamente el cable si está dañado. Los cables dañados aumentan el riesgo de choque eléctrico.

Al operar una herramienta eléctrica en exteriores, use un cable de extensión para exteriores marcado "W-A" o "W". Estos cables están aprobados para uso en exteriores y reducen el riesgo de choque eléctrico.

SEGURIDAD PERSONAL: Al operar una herramienta eléctrica, permanezca atento, observe lo que hace y use el sentido común. No use las herramientas si está cansado o bajo la influencia de drogas, alcohol o medicamentos.

Use la vestimenta apropiada. No use ropas sueltas ni joyas. Sujete el cabello largo. Mantenga el cabello, la vestimenta y los guantes alejados de las partes móviles. Evite un arranque accidental. Asegúrese de que el interruptor esté apagado antes de enchufar la herramienta. Llevar las herramientas con un dedo en el interruptor o enchufar herramientas con el interruptor encendido provoca accidentes.

Retire las llaves o interruptores de ajuste antes de encender la herramienta. Una llave o tenaza que quede en contacto con una parte rotatoria puede provocar lesiones.

No se incline demasiado. Manténgase bien afirmado y conserve el equilibrio en todo momento. Si está bien afirmado y conserva el equilibrio podrá controlar mejor la herramienta en condiciones inesperadas.

USO Y CUIDADO DE LA HERRAMIENTA: No use la herramienta si el interruptor no enciende o no apaga. Toda herramienta que no pueda ser controlada con el interruptor es peligrosa y debe ser reparada.

Desconecte el enchufe de la fuente de alimentación antes de hacer cualquier ajuste, cambiar accesorios o guardar la herramienta. Estas medidas de seguridad preventivas reducen el riesgo de que la herramienta arranque accidentalmente.

Guarde las herramientas que no se usen fuera del alcance de los niños y de personas no capacitadas.

Guarde las herramientas que no se usen fuera del alcance de los niños y de personas no capacitadas. Las herramientas son peligrosas en manos de usuarios inexpertos.

Mantenga las herramientas con cuidado. Mantenga las herramientas de corte afiladas y limpias. Las herramientas mantenidas correctamente con bordes cortantes afilados corren menos riesgo de atascarse y son más fáciles de controlar.

Controle que las partes móviles no se atasquen ni estén desalineadas, que no haya partes rotas y que no exista ninguna otra condición que pueda afectar el funcionamiento de la herramienta. En caso de daño, envíe la herramienta para servicio técnico antes de usarla. Muchos accidentes son provocados por herramientas mal mantenidas.

Use solamente accesorios recomendados por el fabricante para su modelo. Los accesorios que pueden ser apropiados para una herramienta pueden resultar peligrosos si se los usa en otra.

SERVICIO TÉCNICO: Solamente personal de servicio técnico calificado debe realizar el servicio y la reparación de la herramienta. El servicio técnico o mantenimiento realizado por personal no calificado puede tener como consecuencia el riesgo de lesiones.

Al hacer el servicio técnico de una herramienta, use exclusivamente piezas de repuesto idénticas. Siga las instrucciones en la sección de mantenimiento de este manual. El uso de piezas no autorizadas o la omisión de seguir las instrucciones de mantenimiento puede crear un riesgo de choque eléctrico o lesiones.

Sostenga la herramienta por las superficies de agarre aisladas al realizar una operación en la cual las herramientas de corte puedan entrar en contacto con cables ocultos o con su propio cable de alimentación. El contacto con un "cable vivo" electrificará las partes metálicas de la herramienta que estén expuestas y provocará un choque al operador.

REGLAS GENERALES DE SEGURIDAD CONT.

SERVICIO TÉCNICO: Solamente personal de servicio técnico calificado debe realizar el servicio y la reparación de la herramienta. El servicio técnico o mantenimiento realizado por personal no calificado puede tener como consecuencia el riesgo de lesiones.

Al hacer el servicio técnico de una herramienta, use exclusivamente piezas de repuesto idénticas. Siga las instrucciones en la sección de mantenimiento de este manual. El uso de piezas no autorizadas o la omisión de seguir las instrucciones de mantenimiento puede crear un riesgo de choque eléctrico o lesiones.

Sostenga la herramienta por las superficies de agarre aisladas al realizar una operación en la cual las herramientas de corte puedan entrar en contacto con cables ocultos o con su propio cable de alimentación. El contacto con un "cable vivo" electrificará las partes metálicas de la herramienta que estén expuestas y provocará un choque al operador.

INTERRUPTOR: Para su seguridad, y para cumplir con las reglamentaciones de seguridad, el interruptor de la Sierra de 150mm para Recortar Jambas *SUPER SIX* Roberts 10-46 NO SE TRABA en la posición "on" (encendida). El motor se apaga al saltar el interruptor.

MANTENIMIENTO: Luego de usarla, inspeccione la herramienta para mantenerla en óptimas condiciones.

1. Limpie el polvo acumulado.
2. Inspeccione el desgaste de los cepillos periódicamente y cambie ambos cepillos cuando cualquiera de ellos esté desgastado hasta alrededor de 1/3 de su largo.

¡NO HAGA NINGÚN AJUSTE CON EL MOTOR EN MOVIMIENTO!



ADVERTENCIA

¡MANTENGA COLOCADAS LAS PROTECCIONES DE SEGURIDAD PARA EVITAR POSIBLES LESIONES GRAVES!

Nunca cubra ni permita que se acumule polvo en los orificios de ventilación ya que siempre deben estar abiertos para permitir el adecuado enfriamiento del motor.

Desenchufe siempre el cable de alimentación de la fuente de alimentación antes de cambiar los cepillos, lubricar o trabajar en la unidad, a fin de evitar lesiones graves.

Para garantizar la seguridad y confiabilidad de la herramienta, todas las reparaciones, a excepción de los cepillos externos, accesibles, deben ser realizadas por un Centro de Servicio Técnico Autorizado u otra Organización de Servicio Técnico calificada.

ADVERTENCIAS DE SEGURIDAD ESPECÍFICAS DE ESTE PRODUCTO

1. La Sierra de 150mm para Recortar Jambas *SUPER SIX* Roberts 10-46 está fabricada para ser usada específicamente para recortar marcos de puertas de madera, molduras protectoras de pared y para cortes debajo de los ladrillos. Puede provocar lesiones físicas si es usada incorrectamente o es operada por personas inexpertas.

2. No use este producto para ningún fin que no sea el especificado en estas instrucciones.
3. Nunca opere esta sierra "a mano alzada".
4. Use siempre protección ocular y guantes. Se recomienda usar gafas de seguridad totalmente cerradas y que apoyen en la frente y en las mejillas para prevenir lesiones. No use ropas sueltas. Se recomienda usar máscaras para polvo.
5. Desenchufe la Sierra de 150mm para Recortar Jambas *SUPER SIX* Roberts 10-46 cuando no la use. Guárdela en su estuche individual.
6. Mantenga las protecciones de seguridad del disco de corte instaladas en todo momento.
7. Evite tocar clavos, tornillos, mampostería, losetas u otros materiales duros. Mantenga el área de trabajo libre de herramientas y restos de materiales.
 - a. Dichos materiales pueden hacer que salten de la sierra esquivarlas y residuos peligrosos.
 - b. El disco de corte se dañará o desafilará. Se pueden romper o doblar los dientes, y será necesario cambiar el disco de corte.
 - c. Inspeccione los marcos de las puertas y los protectores de pared cuidadosamente para localizar clavos y otros medios de sujeción para retirarlos o evitarlos durante el recorte.
8. No use esta herramienta eléctrica ni ninguna otra en pisos mojados o cerca de agua estancada.
9. Asegúrese de que la tuerca que retiene el disco de corte y las tuercas de retención de la empuñadura estén bien ajustadas antes de iniciar la herramienta.

⚠ ADVERTENCIA

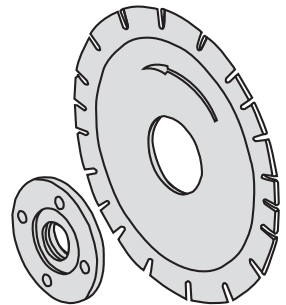
Perforar, serruchar o procesar con máquinas los productos de madera podrían exponerlo al polvo de madera, es una sustancia conocida por el Estado de California como causante de cáncer. Evite inhalar el polvo de madera o utilice una máscara para polvo o cualquier otros protectores de seguridad para su protección personal. Para obtener más información vaya a: www.P65Warnings.ca.gov/wood.

El riesgo al contacto con estas sustancias varía, según la frecuencia en que se haga este tipo de trabajo. Para reducir la exposición a esas sustancias químicas: trabaje en un área bien ventilada, y trabaje con equipos de seguridad aprobados, tales como máscaras contra el polvo especialmente diseñadas para filtrar las partículas microscópicas.

INSTRUCCIONES PARA EL SIERRA PARA RECORTAR JAMBAS SUPER SIX ROBERTS 10-46

MONTAJE Y CAMBIO DE EL DISCO DE CORTE

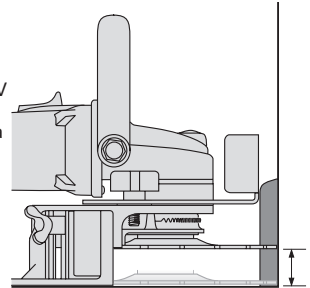
1. Asegúrese de que la sierra esté desenchufada.
2. Inserte la tuerca de retención de el disco de corte en el orificio del mandril de sujeción del disco de corte de la sierra, para que el retenedor el disco de corte quede bien asentado en el disco de corte.* *Asegúrese de que los dientes del disco de corte estén orientados en la dirección de rotación (vista desde abajo, en sentido inverso a las agujas del reloj).*
3. Con el disco de corte de la sierra centrado, atornille la tuerca de retención del disco de corte al eje del mandril de sujeción de la sierra. Cuando la tuerca esté ajustada con los dedos, controle que el disco de corte esté centrado y bien asentado.
4. Presione hacia abajo la perilla negra de traba del mandril de sujeción que se encuentra en la parte superior del cabezal del motor de la sierra y trabe el mandril.
5. Con la llave para tuercas cilíndricas, gire la tuerca de retención en la dirección de las agujas del reloj hasta que la tuerca de retención esté ajustada sobre el eje.
6. Inserte el adaptador para el el disco de corte para albañilería antes de instalar el el disco de corte para albañilería. Repitas los pasos del 1 al 5.
7. Conecte la empuñadura de plástico usando los dos pernos con tuerca de 3/8" de diámetro. Ponga las arandelas de seguridad entre la parte externa de la empuñadura y bajo la cabeza del perno con tuerca. Ajuste ambos pernos con tuerca con la llave abierta provista. Asegúrese de que la empuñadura esté bien sujeta antes de usar la Sierra de 150mm para Recortar Jambas *SUPER SIX* Roberts 10-46.



FUNCIONAMIENTO DE LA SIERRA DE 150MM PARA RECORTAR JAMBAS *SUPER SIX* 10-46



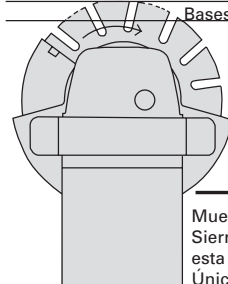
1. Asegúrese de haber leído todas las instrucciones antes de operar la herramienta.
2. Asegúrese de que la sierra esté desenchufada. Compruebe que la Protección de Seguridad y la empuñadura estén bien asegurados y use gafas de seguridad.
3. Controle que no haya clavos, tornillos, mampostería ni otros materiales duros en la zona que desea cortar. Retire todos los materiales de este tipo y los residuos de la zona de corte.
4. Determine la cantidad de material que necesita retirar de la parte inferior del marco de la puerta y trace una línea en el marco con un marcador de corte.
5. Afloje las dos tuercas de mariposa del elemento de ajuste.
 - a. Apoye la base del elemento de ajuste en el piso y ajuste la sierra para que la parte SUPERIOR del disco de corte quede a nivel de la marca trazada en el marco. También puede medir la distancia desde el piso hasta la marca con una regla y luego ajustar la altura de la Sierra de 150mm para Recortar Jambas *SUPER SIX* Roberts 10-46 guiándose por la regla. Recuerde medir hasta la parte superior del disco de corte de la sierra.
 - b. Ajuste las tuercas de mariposa lo suficiente para sostener el elemento de ajuste firmemente en el cuerpo de la sierra.
 - c. Controle la parte interna del elemento de ajuste para asegurarse de que el cuerpo de la sierra esté paralelo a las líneas indicadoras dentro del elemento. Este paso es importante para prevenir que el disco de corte se "atasque" contra el material que está cortando.
 - d. Si el elemento de ajuste está paralelo, ajuste las tuercas de mariposa.
 - e. Controle nuevamente el ajuste de la altura de la sierra contra la marca trazada en la pieza.
 - f. NO permita que el disco de corte entre en contacto con el piso ni con el material del sustrato. Esto puede dañar el disco de corte y el piso, y generar cargas excesivas para el motor.
6. Ajuste la guía de profundidad aflojando la perilla de las aletas de ajuste. Ajuste la guía de profundidad para permitir que el disco de corte de la sierra corte la profundidad necesaria para apenas PASAR el marco de la puerta o la moldura protectora de pared.
 - a. Los cortes más profundos dañarán el yeso o el revestimiento de la pared y generarán una cantidad excesiva de polvo. Esto también desgastará excesivamente el disco de corte de su sierra.
 - b. El polvo de yeso provocará el desgaste excesivo de los engranajes y los cojinetes de la unidad eléctrica.
7. Para reducir el polvo, conecte la manguera de la aspiradora al puerto de aspiradora. Encienda la aspiradora.
8. Enchufe el cable de alimentación en una toma de corriente de 120V o un cable de extensión. Apoye la sierra plana en el piso.
9. Sujete la sierra firmemente y empújela hacia la madera, moviéndola en forma paralela al piso para cortar el marco de la puerta.
10. Limite la profundidad del corte al espesor del material base para minimizar las posibilidades de tocar clavos, muro seco, yeso, etc.
11. Para su seguridad, y para cumplir con las reglamentaciones de seguridad, el interruptor de la Sierra de 150mm para Recortar Jambas *SUPER SIX* Roberts 10-46 NO SE TRABA en la posición "on" (encendida). El motor se apaga al soltar el interruptor.



INSTRUCCIONES PARA EL SIERRA PARA RECORTAR JAMBAS *SUPER SIX* ROBERTS 10-46

⚠️ NOTA: SIEMPRE alimente la sierra a su DERECHA, de modo que los dientes de la hoja penetren en la madera. Si se mueve la sierra a su izquierda, podría producir una "patada" y provocar la pérdida del control de la sierra, produciendo daños al material o lesiones personales. Mueva la sierra en forma lenta y uniforme a través del material. Sujete la sierra firmemente y manténgala firmemente sobre el piso a medida que trabaja a través del material.

Panel de Pared
Bases Concavas

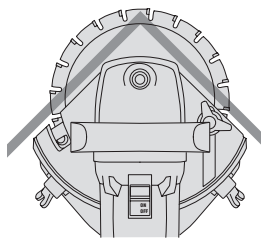


Mueva la Sierra en esta Dirección Únicamente

CORTE EN ESQUINAS

1. La Sierra de 150mm para Recortar Jambas *SUPER SIX* Roberts 10-56 hace cortes completos a través de esquinas a 90° en molduras protectoras de pared de hasta 12mm de espesor. La guía de profundidad debe ser removida y el motor debe estar desenchufado mientras la remueve.
2. Fije el elemento de ajuste de altura en el nivel correcto.

3. Encienda la sierra y avance el disco de corte lentamente penetrando en la moldura protectora de pared a la IZQUIERDA de la esquina. Mueva la sierra en forma pareja y firme hacia la DERECHA y cuidadosamente penetre la esquina. Mantenga la profundidad del corte para no cortar más que el espesor de la moldura protectora de pared. Nota: con el disco de corte totalmente insertado en la esquina, la profundidad de corte será levemente mayor que la necesaria para cortar totalmente una moldura protectora de pared de 12mm de espesor.



RESPECTO DE LAS MOLDURAS DE MADERA PROTECTORAS DE PARED

Si bien algunos instaladores de pisos recortan la moldura protectora de pared con sierras para marcos, ésta no es una práctica recomendada.

Las Asociaciones de Colocadores Profesionales de Pisos y Otras Asociaciones de la Industria recomiendan retirar las molduras protectoras de pared y colocarlas nuevamente una vez instalado el piso. De este modo, la instalación tiene mejor aspecto y se preserva la altura y el aspecto de las molduras protectoras de pared. Si decide recortar los protectores de pared con la sierra para marcos, **tenga especial cuidado de evitar los clavos de terminación empotrados.**

Asegúrese de tener una superficie plana, lisa y pareja para dar soporte a la placa base de la sierra mientras corte la moldura protectora de pared. Nunca pase la sierra sobre alfombras ni rellenos. Al cortar en las esquinas, generalmente necesitará usar un cincel o cuchillo universal para retirar todo el material del protector de pared.

RESPECTO DEL RECORTE DE PUERTAS

SIEMPRE retire las puertas y córtelas en forma pareja con una sierra de mesa o una sierra circular. No se recomienda cortar puertas con una sierra de cortar jambas.



CON RESPECTO A LA ALBA—ILERÍA

El disco de corte par albañilería, se utiliza primordialmente para el corte de ladrillo. No es para ser utilizado para el corte de losetas o piedra. Recomendamos mucho que el usuario utilice una máscara para el polvo. NO utilice ésta Sierra para cortar acero o aluminio.

ESPECIFICACIONES

Unidad del motor:

Corriente: 120V-60Hz / 7.5 Ampères

Velocidad sin carga: 7,000 RPM (velocidad)

Diámetro del mandril de sujeción: 16mm

Diámetro del adaptador de disco: 20mm

Todos con rodamientos de bola: Piñones helicoidales amolados para un funcionamiento suave y silencioso

Sierra:

Conjunto de la sierra: Aluminio fundido a presión y torneado

Rango de ajuste de altura: de "al vas" hasta 26 mm

Discos:

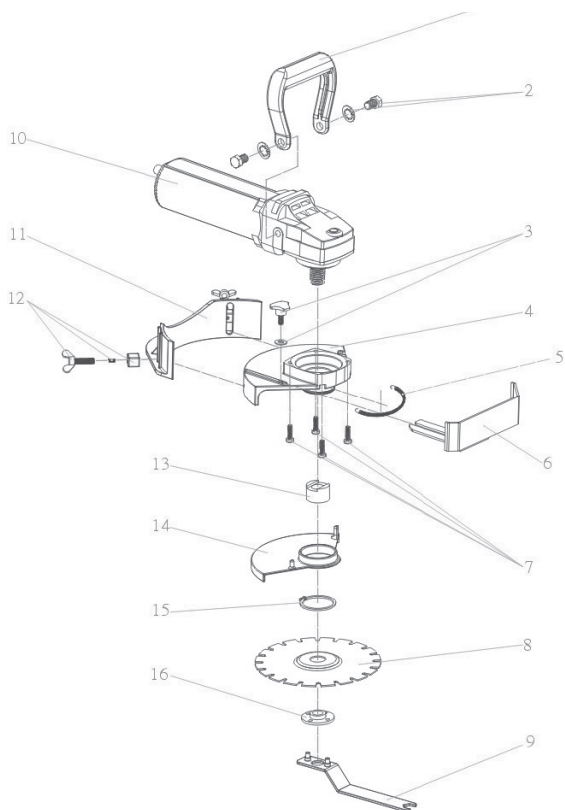
10-47-6 (Con Punta de Carburo)

Diámetro: 158 mm

Dientes: 20, carburo

Ancho de los dientes: 2mm

Tamaño del mandril de sujeción: 20 mm



LISTA DE PARTES DE REEMPLAZO

Part	Description	Part	Description
10-46-01	Empuñadura	10-46-11	Protección de seguridad
10-46-02	Llave con salientes para tuercas cilíndricas	10-46-12	Resorte de retorno (Paquete de 100) (No se muestran)
10-46-03	Guía de profundidad	10-46-14	Anillo de retención
10-46-04	Resorte de retorno (3)	10-46-16	Tuerca de retención de la hoja
10-46-05	Tornillos, espaciadores resortes (Paquete de 2)	10-46-17	Spaciador de mandril
10-46-07	Perno y arandela de seguridad de la empuñadura	10-46-18	Motor
10-46-08	Cuerpo principal	10-46-19	Tornillos de montaje (4)
10-46-09	Elemento de ajuste de altura	10-46-20	Interruptor de reemplazo
10-46-10	Tornillo y arandela para guía de profundidad	10-46-21	Escobillas de carbón (2)
		10-47-6	Hoja de 15.7cm con dientes de Carburo

**NÚMERO DE SERVICIO AL CLIENTE:
1-866-435-8665**

www.robertsconsolidated.com
Roberts Consolidated Industries, Inc.
Boca Raton, FL 33487
Made in China • Fabriqué en Chine
Hecho en China • F1418-10708