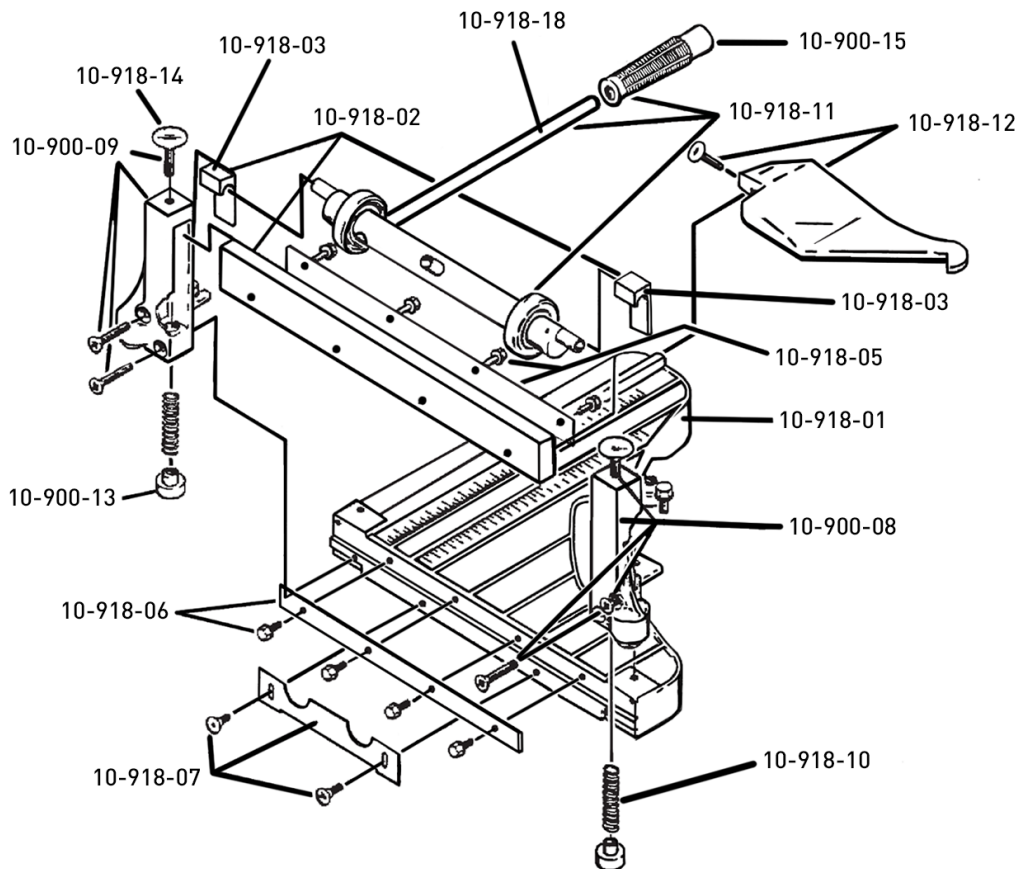


10-918

18" Vinyl Tile Cutter



REPLACEMENT PARTS LIST

| Part # | Description |
|-----------|------------------------------|
| 10-918-01 | Base Assembly |
| 10-918-02 | Blade Bar Assembly |
| 10-918-03 | Pillow Blocks |
| 10-918-04 | Casters for Base (not shown) |
| 10-918-05 | Top Cutting Blade with Bolts |
| 10-918-06 | Lower Blade Plate with Bolts |
| 10-918-07 | Floor Guide with Wing Screw |
| 10-900-08 | Left Post |

| Part # | Description |
|-----------|-------------------------------------|
| 10-900-09 | Tapa Flexible |
| 10-918-10 | Return Springs (2-pack) |
| 10-918-11 | Crankshaft with Handle |
| 10-918-12 | Tile Guide with Screws |
| 10-900-13 | Rubber Feet (3-pack) |
| 10-918-14 | Crankshaft Adjusting Knobs (2-pack) |
| 10-900-15 | Handle Grip |
| 10-918-18 | Handle |