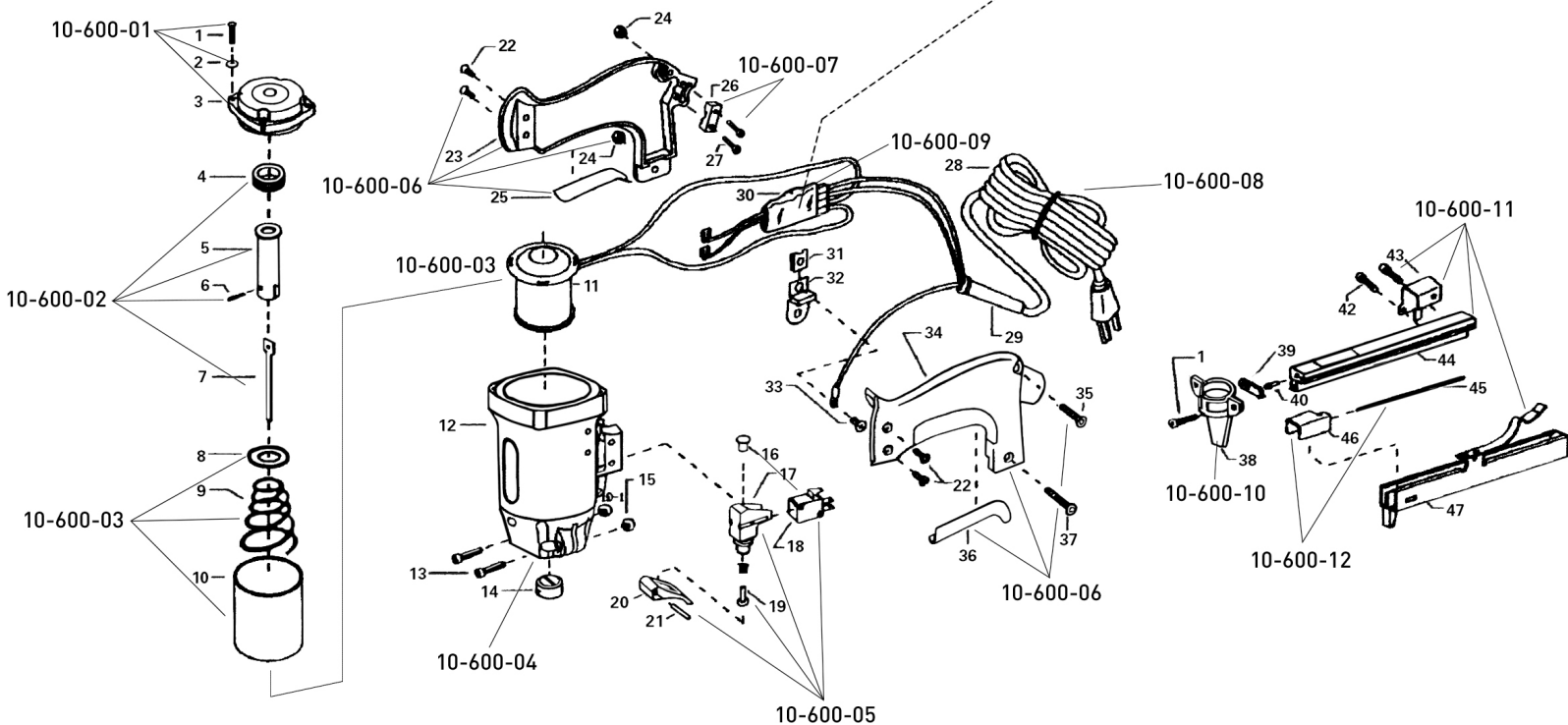
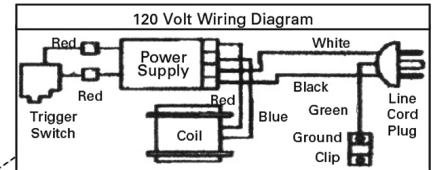


10-600

3/16 in. Crown Electric Stapler



REPLACEMENT PARTS LIST

Part #	Description
10-600-01	Cap Assembly
10-600-01-01	Hex Bolt (set of 4)
10-600-01-02	Washers (set of 4)
10-600-01-03	Cap Casting
10-600-02	Driver Assembly
10-600-02-04	Retainer

Part #	Description
10-600-02-05	Drive Plunger
10-600-02-06	Roll Pin
10-600-02-07	Driver Blade
10-600-03	Solenoid Assembly
10-600-03-08	Retaining Washer
10-600-03-09	Return Spring

REPLACEMENT PARTS LIST

Part #	Description
10-600-03-10	Sleeve
10-600-03-11	Coil Assembly with Lead Wires
10-600-04	Head Assembly
10-600-04-12	Head Casting
10-600-04-13	Bolts (set of 2)
10-600-04-14	Nose Bumper
10-600-04-15	Lock Nuts
10-600-05	Trigger Assembly
10-600-05-16	Switch Plunger
10-600-05-17	Switch Housing
10-600-05-18	Switch
10-600-05-19	Plunger
10-600-05-20	Trigger
10-600-05-21	Trigger Pin
10-600-06	Handle Assembly
10-600-06-22	Screws (set of 2)
10-600-06-23	Handle - Right
10-600-06-24	Nut
10-600-06-25	Grip Insert - Right
10-600-06-34	Handle - Left
10-600-06-35	Bolts
10-600-06-36	Grip Insert - Left
10-600-06-37	Bolt

Part #	Description
10-600-07	Fuse Holder Assembly
10-600-07-26	Fuse Holder
10-600-07-27	Screws (set of 2)
10-600-08	Cord Assembly
10-600-08-28	Power Cord (14 gauge)
10-600-08-29	Connector Jacket
10-600-09	Power Supply
10-600-10	Nose Casting
10-600-11	Magazine Assembly
10-600-11-39	Plate
10-600-11-40	Pin
10-600-11-42	Bolt
10-600-11-43	Magazine Support
10-600-11-44	Rack
10-600-11-45	Spring
10-600-11-46	Pusher
10-600-11-47	Magazine Base
10-600-12	Staple "Pusher" & Spring
10-600-12-45	Spring
10-600-12-46	Staple Pusher
10-600-14	Spare Fuses (set of 3)