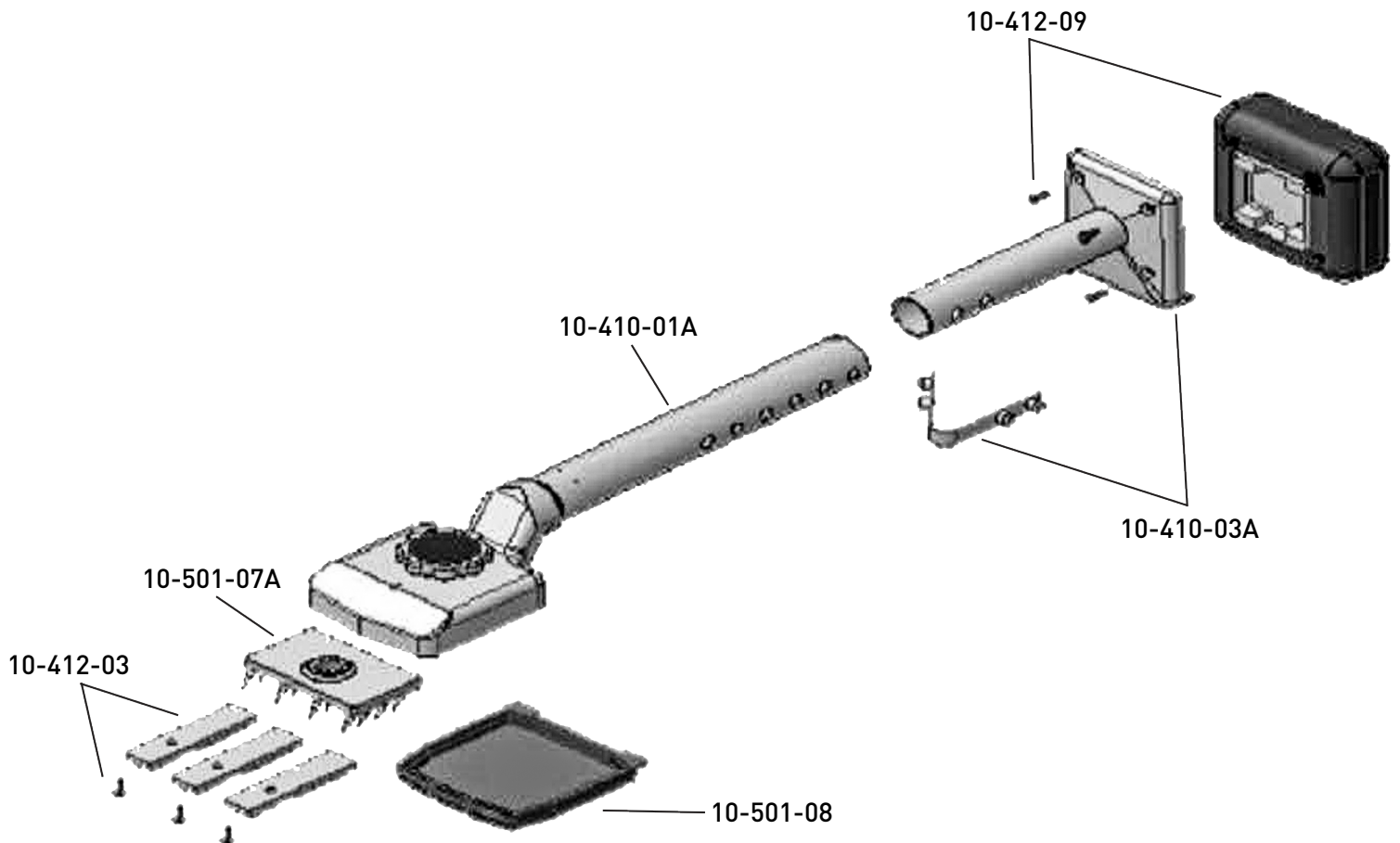


# 10-410

## Adjustable Knee Kicker



### REPLACEMENT PARTS LIST

| Part #     | Description                             |
|------------|---|
| 10-410-01A | Tube And Head Assembly                  |
| 10-410-03A | Bumper Body and Tube Assembly           |
| 10-412-03  | Nap-Grip Inserts (set of 3 with screws) |

| Part #     | Description                         |
|------------|-------------------------------------|
| 10-412-09  | 2" Thick Bumper Pad (with 4 screws) |
| 10-501-07A | Base Plate Assembly                 |
| 10-501-08  | Pin Cover                           |