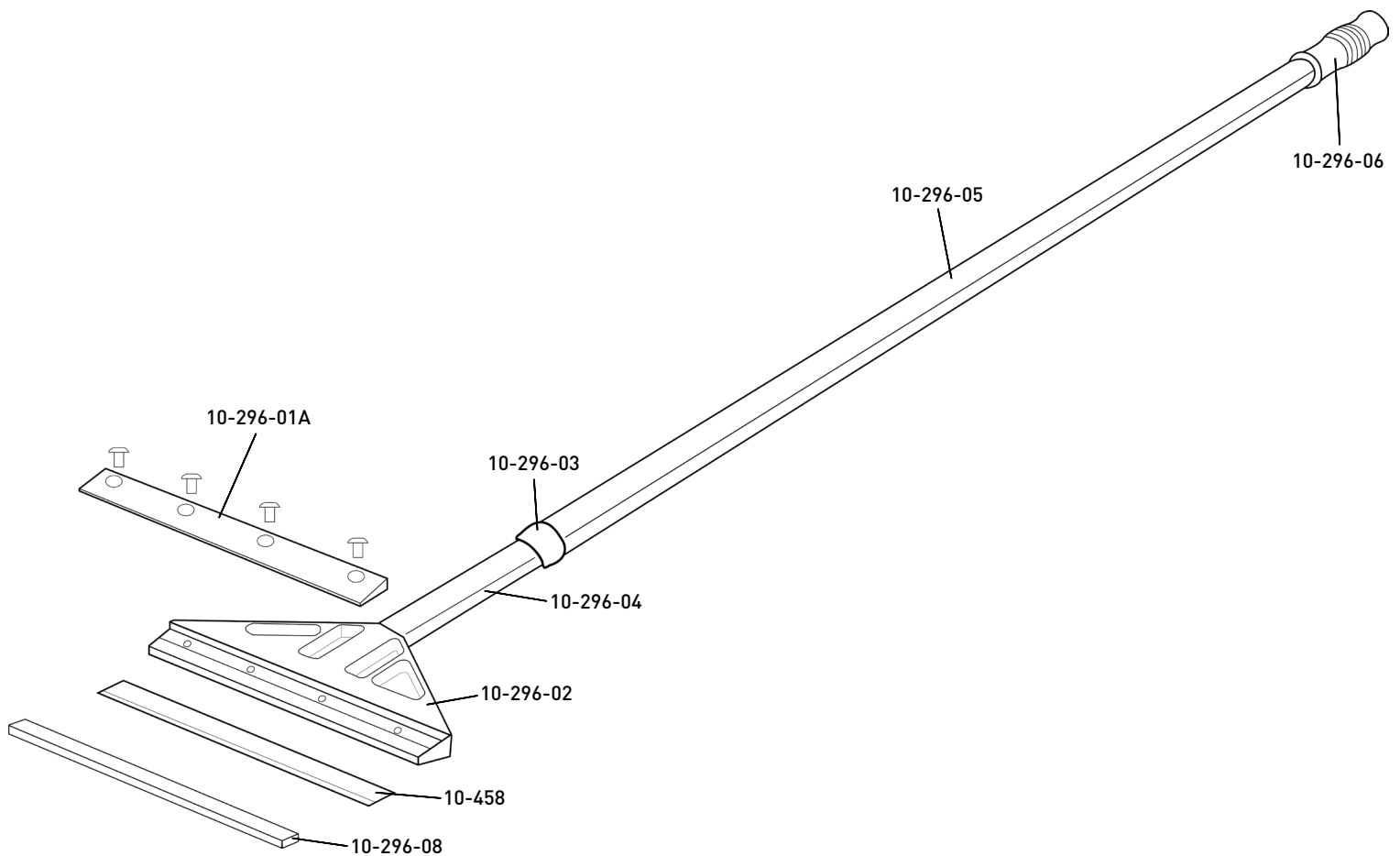


# 10-296

## 8" Stand-Up Scraper



### REPLACEMENT PARTS LIST

Part #	Description
10-296-01A	Retainer Plate
10-296-02	Main Body
10-296-03	Rubber Band
10-296-04	Lower Pipe

Part #	Description
10-296-05	Upper Pipe
10-296-06	Rubber Handle
10-458	8" Scraper Blades (10 pack)
10-296-08	Blade Case