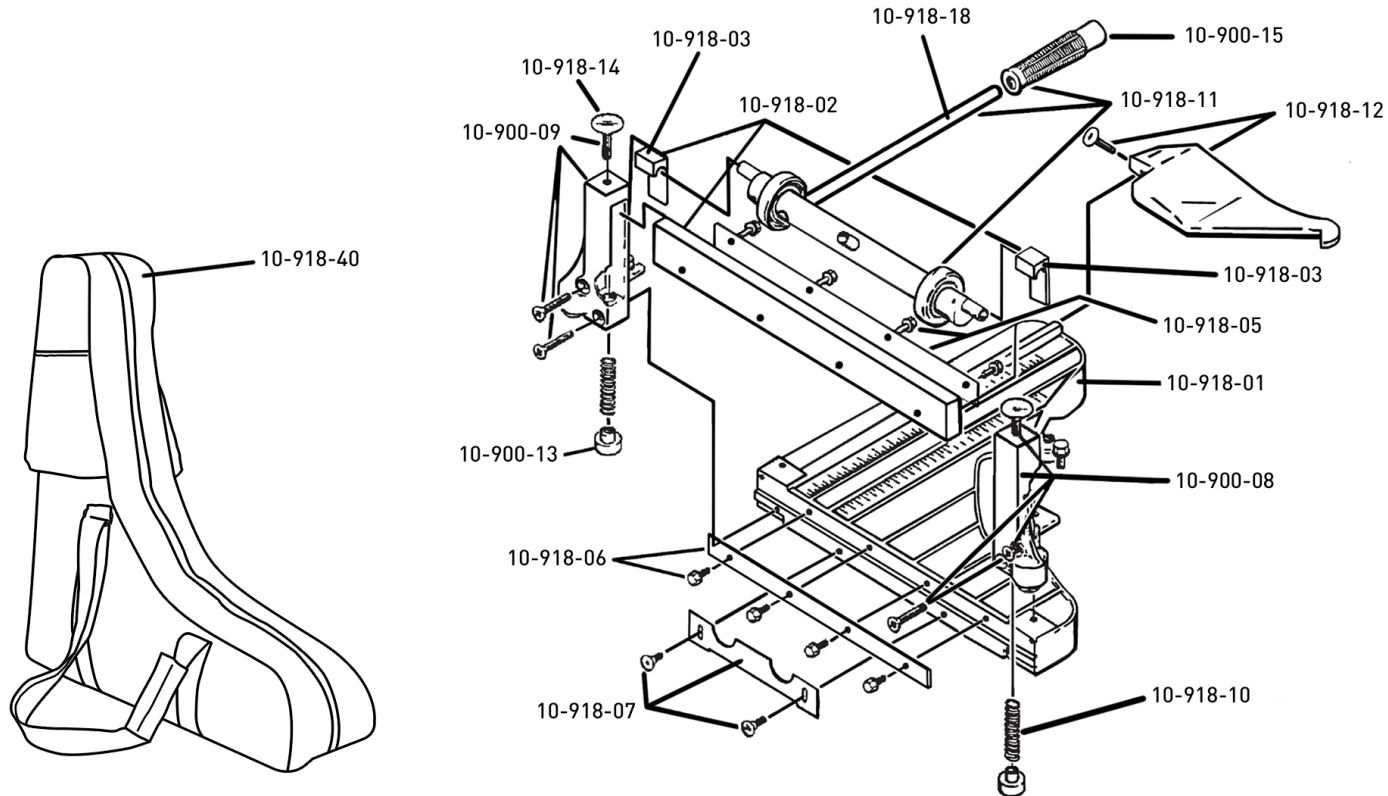


# 10-918

## 18" Vinyl Tile Cutter



### REPLACEMENT PARTS LIST

Part #	Description
10-918-01	Base Assembly
10-918-02	Blade Bar Assembly
10-918-03	Pillow Blocks
10-918-04	Casters for Base (not shown)
10-918-05	Top Cutting Blade with Bolts
10-918-06	Lower Blade Plate with Bolts
10-918-07	Floor Guide with Wing Screw
10-900-08	Left Post

Part #	Description
10-900-09	Tapa Flexible
10-918-10	Return Springs (2-pack)
10-918-11	Crankshaft with Handle
10-918-12	Tile Guide with Screws
10-900-13	Rubber Feet (3-pack)
10-918-14	Crankshaft Adjusting Knobs (2-pack)
10-900-15	Handle Grip
10-918-18	Handle
10-918-40	Nylon Carrying Case