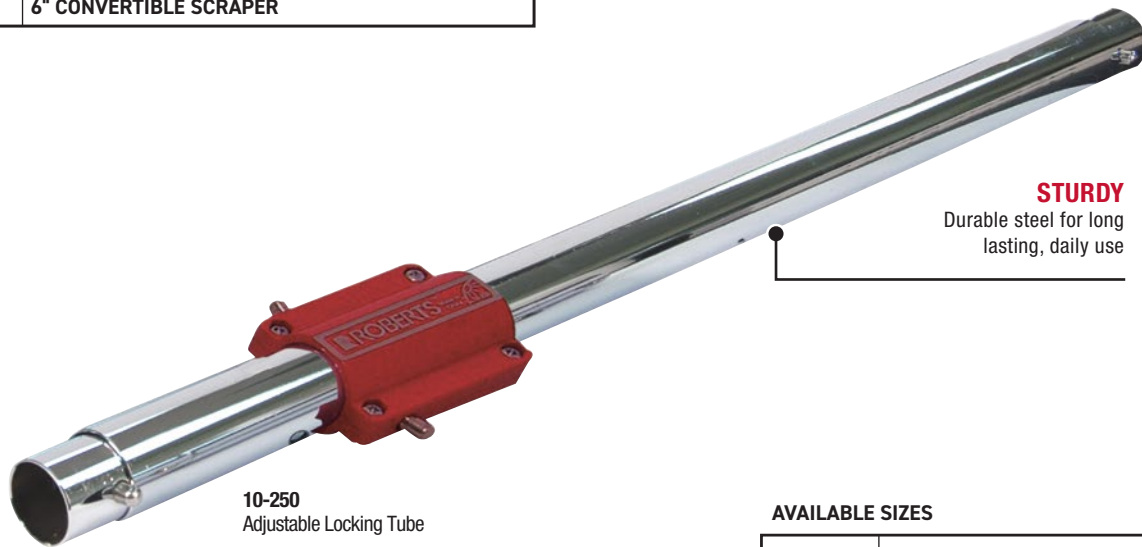


# Additional Power Stretcher Tubes

10-250  
10-230-10  
10-235-10  
10-235-05

**ADDITIONAL STRETCHER TUBES FOR:**

10-254	POWER-LOK® CARPET STRETCHER STANDARD KIT
10-254V	POWER-LOK® CARPET STRETCHER VALUE KIT
10-237	JUNIOR POWER CARPET STRETCHER STANDARD KIT
10-237V	JUNIOR POWER CARPET STRETCHER VALUE KIT
10-195	6" CONVERTIBLE SCRAPER



**STURDY**  
Durable steel for long lasting, daily use

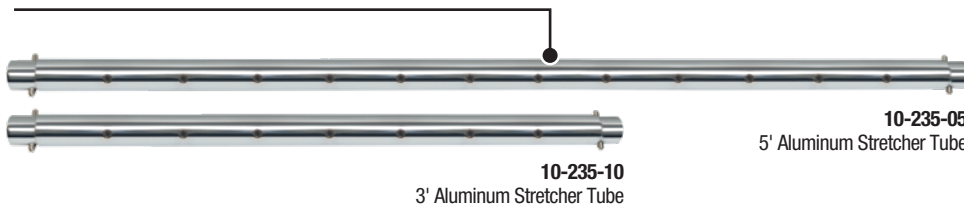
10-250  
Adjustable Locking Tube

**AVAILABLE SIZES**

10-250	ADJUSTABLE LOCKING TUBE
10-230-10	3' STEEL STRETCHER TUBE (FOR 10-254 / 10-237 STRETCHERS & 10-195 SCRAPER)
10-235-10	3' ALUMINUM STRETCHER TUBE
10-235-05	5' ALUMINUM STRETCHER TUBE

**COMPATIBLE**

For Use with ROBERTS® 10-254 Power-Lok® Carpet Stretcher and 10-237 Junior Power-Lok® Carpet Stretcher



Engineered for superior performance and durability, and designed to fit all ROBERTS® and standard stretchers.