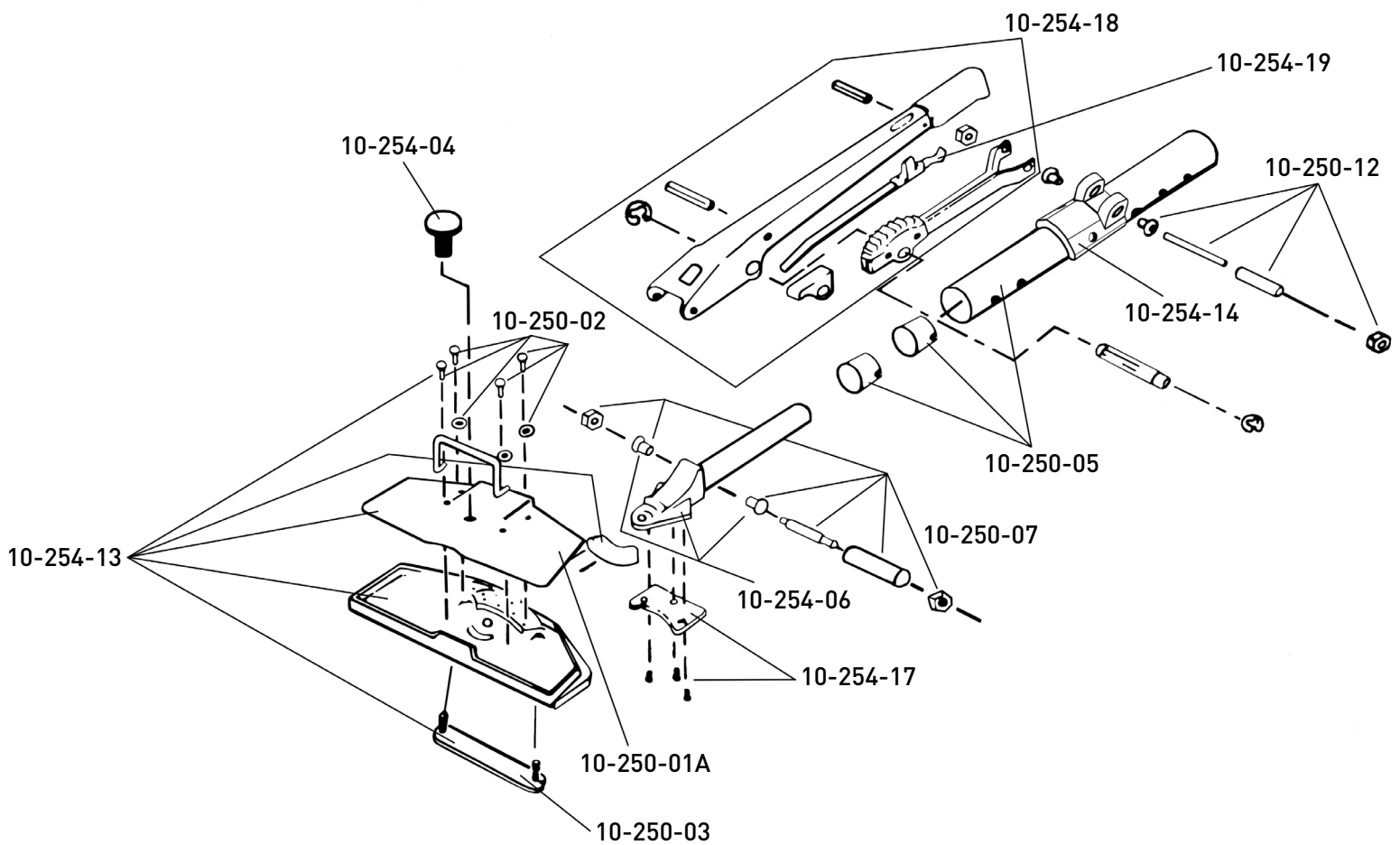


# 10-254 & 10-254V

## Power-Lok Carpet Stretchers



### REPLACEMENT PARTS LIST

Part #	Description
10-250-01A	Red Plastic Head Cover
10-250-02	Head Cover Screws & Washers
10-250-03	Height Adjustment Bar Assembly
10-250-05	Main Body Assembly with Bushings
10-250-06B	Head Mount Bracket (not shown)
10-250-07	Head Pivot Assembly

Part #	Description
10-250-12	Link Pivot Assembly
10-250-14	Nylon Bushings
10-254-04	Head Mounting Knob
10-254-06	Head Mount Assembly with Bushings
10-254-13	Pin Plate Assembly
10-254-14	Saddle

# REPLACEMENT PARTS LIST

Part #	Description
10-254-17	Stretcher Retainer Plate
10-254-18	Locking Handle Assembly
10-254-19	Actuator Rod
10-254-50	Power Unit Assembly